

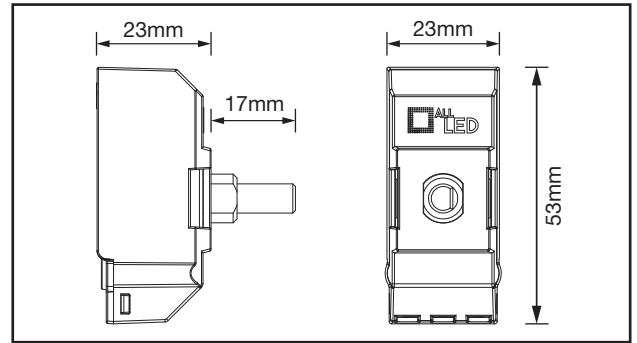
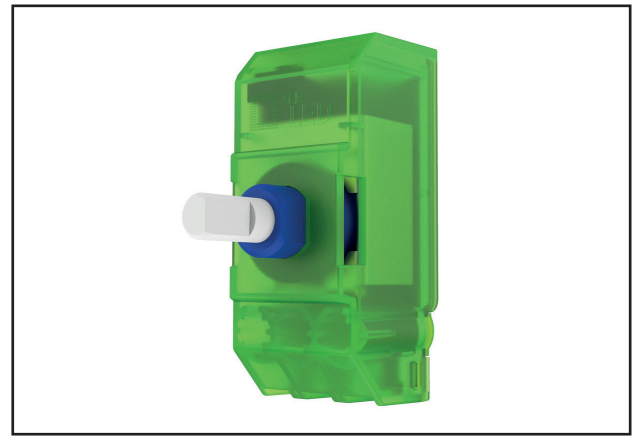
## ADIM150/GRID

150W Programmable 2 Way LED  
Grid Dimmer & Adaptor Plates

# All-Dim

### PRODUCT FEATURES

- 5W - 150W LED Max Load. Designed For Use With LED Loads
- Includes 9 Adaptors: BG, Crabtree, Deta, Hamilton, Hager, MK Logic, Schneider Lisse, Schneider Ultimate And Wandsworth
- Adaptors Available In Black Or White Finish
- Includes ALL LED Dimmer Nut Tool
- No Maximum Luminaires Quantity
- Adjustable Minimum Brightness Setting
- Advanced OptiDim Technology
- Wide Dimming Compatibility
- Centre Spindle
- Ideal For Retrofit And New Installations
- Enlarged Terminals For Easy Wiring



### TECHNICAL SPECIFICATIONS

Product Code	ADIM150/GRID
Operating Voltage	220-240V AC
Operating Current (A Max)	0.7A
Max Output Power	5W - 150W LED
Power Factor	≥0.83
No Load Power (W)	0W
Class	II
Body Material	Polycarbonate
Ingress Protection	IP20
Ambient Operating Temperature (°C)	-10°C~40°C
Input Frequency (Hz)	50Hz
Guarantee	2 Years
Dimming Mode (Trailing or Leading)	Fully Programmable - Leading Edge And Trailing Edge (2 Modes)



**Dimmer, Tool & White Adaptor Plates Kit\***  
ADIM150/GRID/WH



**Black Adaptor Plates\***  
ADIM150/GRID/BLK/ADAPT



**Dimmer Nut Tool\***  
ADIM/TOOL



\*Sold Separately